

Marvell 88SF9210/9110/9118

6Gb/s SAS to SATA Bridge Chips



▶ PRODUCT OVERVIEW

The Marvell® 88SF9210/9110/9118 are 6Gb/s SAS-to-SATA bridge chips, enabling cost-effective, high-capacity SATA drives to be used in high availability (HA) enterprise storage systems. This product series contains two integrated SAS target ports, and one or two integrated SATA host ports. The bridge chips allow standard single port SATA HDDs or SSDs to function as dual-ported SAS SSP target devices.

The bridge chips incorporate an ARM-based processor running at 600MHz to service all protocol translation, perform internal error handling and service all SCSI commands that do not have corresponding functions in the SATA protocol, such as Mode Select and Mode Sense. The internal processor terminates SAS SSP protocol in SAS target mode and ensures the link between expander and bridge is managed efficiently, resulting in maximum overall system performance. In addition, it provides elimination of STP protocol especially in configurations where SAS expanders are used, and provides the ability to preserve HW configurations information (e.g. Mode Select) across Resets and power loss.

The bridge chips support concurrent active-active full duplex commands and data transfers, and up to 128 concurrent I/O operations from up to 32 SAS initiators. The single or dual SATA interfaces provide full ANSI compliant SATA host functionality (SATA 1.0a, SATA 2.6 and SATA 3.0 specifications) on the SATA ports. Internal sector size translation is provided since native SATA devices do not support non-512-byte sector sizes. This allows SAS initiators to configure the device for sector sizes of 512, 520, 524 or 528 bytes. All sector size translation and mapping is performed by the internal processor and is transparent to the SATA device.

The other advantages include the support for XDREAD, XDWRITE and XPWRITE commands, as well as the Write/Verify command. This product series provides full support for the T10 Protection Information Model. Protection information fields, also known as DIF fields, can be verified, inserted or deleted from the data stream by the bridge chips, transparent to the SATA device.

▶ BLOCK DIAGRAM

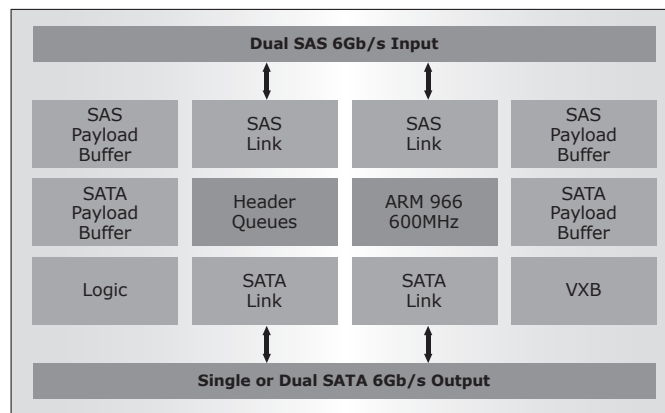


Figure 1. Block Diagram

▶ KEY FEATURES

MODEL	88SF9210	88SF9110	88SF9118
• 6Gb/s SAS Target Port	2	2	2
• 6Gb/s SATA Host Port	2	1	1
• SAS 2.0 Compliant	Support SSP and SAT-2 specification		
• SATA 3.0 Compliant	6 Gb/s SATA PHY with speed negotiation to backward support 3 and 1.5 Gb/s		
• Concurrent IOs per Chip	128		
• Multiple SAS Initiators	Up to 32 SAS initiators		
• Native Command Queuing	32 outstanding commands per SATA host port for high performance		
• Sector Size Translation	Translate non-512 byte sector size		

Marvell 88SF9210/9110/9118

(Continue)

MODEL	88SF9210	88SF9110	88SF9118
• T10 Protection Information Model	Protection information fields can be verified, inserted, or deleted from the data stream		
• Diagnostic Capabilities	Including Send Diagnostic, Mode Select, Mode Sense		
• Error Handling	Well-defined Link layer and Transport layer error handling		
• Online FW Upgrade	Upgradable via Marvell GUI-based FW utility		
• SPI Flash Interface	External flash containing configuration data and firmware code		
• Power Consumption*	1.35W	1.10W	1.25W
• Package Size/Type	10 x 10mm / 84-pin QFN	10 x 10mm / 84-pin QFN	8 x 11mm / 117-ball TFBGA

*Measured at room temperature

▶ APPLICATIONS

The Marvell 6Gb/s SAS-to-SATA bridge chips are flexible and powerful solutions, enabling economical and high-capacity SATA drives to be used in enterprise storage systems that demand full duplex active-active operation and redundant (high availability) connectivity.

The 88SF9210 is a single-chip solution ideal for high-density storage systems, allowing two SATA HDDs/SSDs to be installed in the same drive carrier. This allows the SAS host connection to maintain full redundancy while presenting both connected SATA drives as LUNs. Being able to use a single bridge for two drives additionally results in less board space, reduction in power and higher performance. The two SATA host ports support makes it the best choice for low-cost nearline/archival storage (Tier-2/3) applications.

The 88SF9110 is targeted for dongle board design in a drive carrier with installation of a single 3.5-inch HDD or SSD, while the 88SF9118 is targeted for installation with 2.5-inch HDD or SSD.

This product series is available with a complete development kit, including reference schematic/BOM list/Gerber file and Firmware user manual.

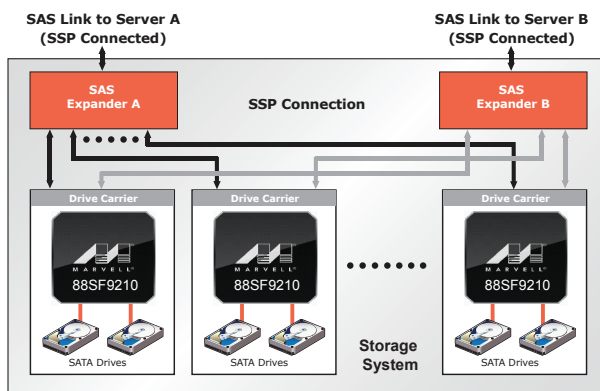


Fig 2. 88SF9210 in Enterprise Storage System

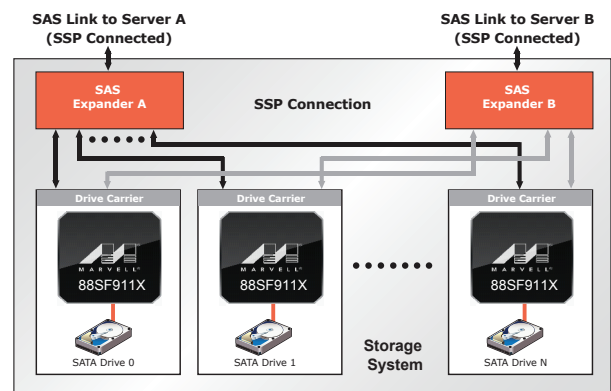


Fig 3. 88SF9110/9118 in Enterprise Storage System

THE MARVELL ADVANTAGE: Marvell chipsets come with complete reference designs which include board layout designs, software, manufacturing diagnostic tools, documentation, and other items to assist customers with product evaluation and production. Marvell's worldwide field application engineers collaborate closely with end customers to develop and deliver new leading-edge products for quick time-to-market. Marvell utilizes world-leading semiconductor foundry and packaging services to reliably deliver high-volume and low-cost total solutions.

ABOUT MARVELL: Marvell is a leader in storage, communications, and consumer silicon solutions. Marvell's diverse product portfolio includes switching, transceiver, communications controller, processor, wireless, power management, and storage solutions that power the entire communications infrastructure, including enterprise, metro, home, storage, and digital entertainment solutions. For more information, visit our Web site at www.marvell.com.



Marvell Semiconductor, Inc.
5488 Marvell Lane
Santa Clara, CA 95054
Phone 408.222.2500
www.marvell.com

Copyright © 2011. Marvell International Ltd. All rights reserved. Marvell and the Marvell logo, are registered trademarks of Marvell. All other trademarks are the property of their respective owners.

88SF9210/9110/9118-001 04/11