



### PRODUCT OVERVIEW

The Marvell® family of low power Gigabit Ethernet (GbE) switches provide industry-leading functionality and price performance ratio for the Enterprise desktop switching market and Small Office/Home Office (SOHO) market. The 88E6152/88E6155 devices are single-chip 6-port GbE switches with support for Quality of Service (QoS), 802.1Q, and RMON counters. Both devices contain 6 SERDES ports, two of which can drive a fiber module directly.

The 88E6152 product is designed for unmanaged or lightly managed (web smart) applications. The 88E6155 device is designed for fully managed and stackable switches. The 88E6152/88E6155 GbE switches have one Gigabit port that supports a GMII/MII interface to connect to external Gigabit media access controllers (MACs). The switch contains 6 independent 802.3 MACs, a high-speed, non-blocking four traffic class QoS switch fabric, a high-performance address lookup engine, and a 1 Mbit frame buffer memory. The devices are designed for cost-sensitive, low to high port count switch systems that require QoS, Spanning Tree, and stacking.

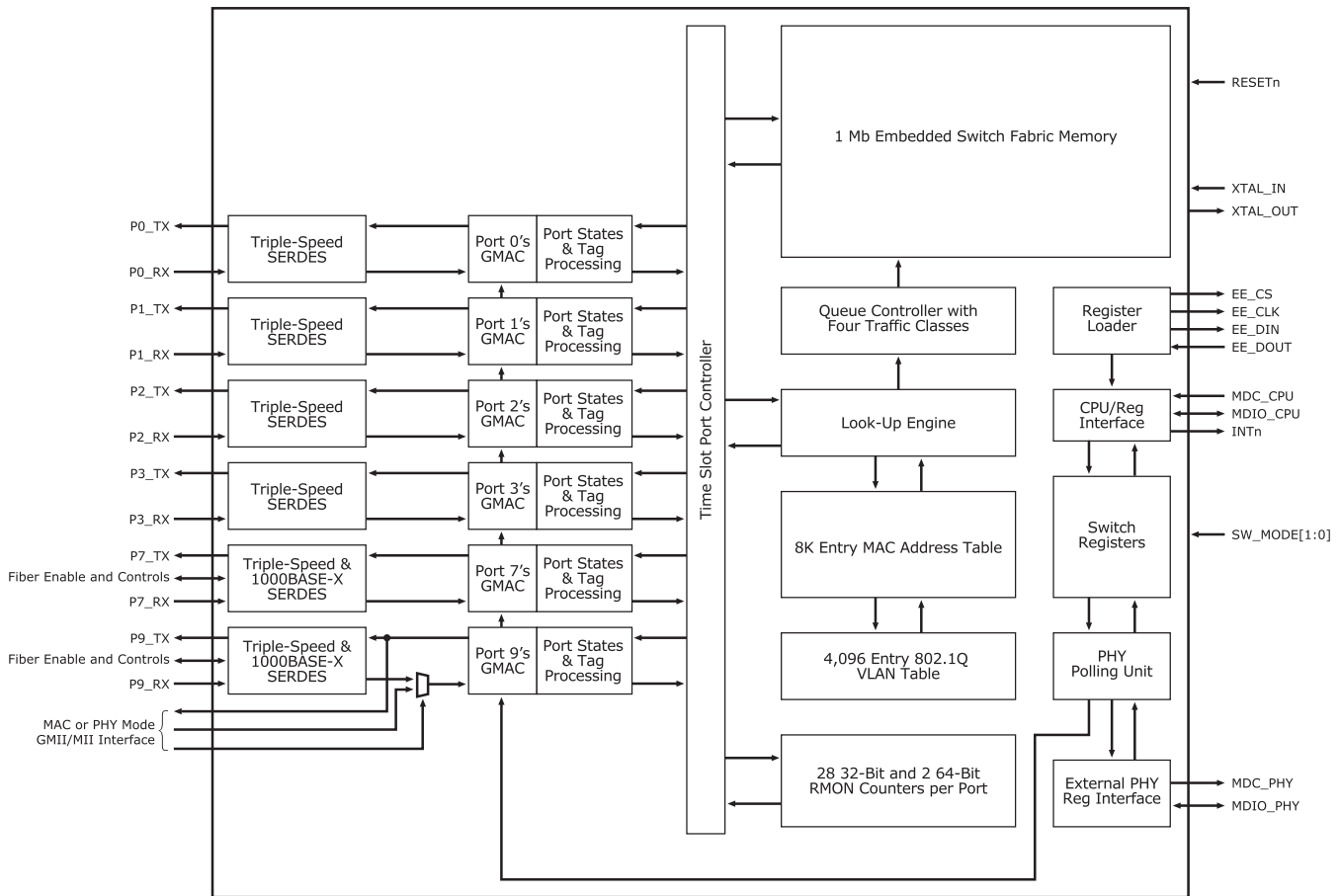


Fig 1. 88E6152/88E6155 Block Diagram



## FEATURES

- Single-chip integration of a 6 GbE switch
- 6 integrated triple-speed 10/100/1000 SERDES ports
- Distributed Switching Architecture (DSA) for cascading multiple devices and stacking multiple systems
- IEEE 802.1X MAC-based authentication
- Port-based VLANs supported in any combination
- High-speed switch fabric
  - High-performance look-up engine with support for up to a 8K MAC address entries with automatic learning and aging tags (DiffServ), and IPv6 traffic class
  - Port-based VLANs supported in any combination
- QoS determined by port ID, IEEE 802.1p and multimedia traffic tags, IPv4 Type of Service (ToS), Differentiated Services (DiffServ), IPv6 Traffic Class, 802.1Q VLAN ID, destination MAC address, and source MAC address
- Supports port-based VLANs and up to the full 4K 802.1Q VLANs
- Extensive RMON statistics counters
- Link aggregation for up to 16 trunks of up to 8 ports each
- Port mirroring
- IEEE 802.1D/w/s Spanning Tree Protocol Support
- Chip configuration through SMI ports (MDC/MDIO) or by low-cost Serial EEPROM
- CMOS low power dissipation (typical 1.0W)

## BENEFITS

- Provides a complete SOHO switching solution with true non-blocking switching performance and IEEE 802.1p QoS provisions
- Provide a glueless interface to Marvell Alaska® Gigabit PHYs. Allows triple-speed Ethernet 10/100/1000 Mbps operation. Two ports can drive a Gigabit fiber module directly
- Seamless stacking provided through standard Ethernet interfaces
- Provides Layer 2 security and authentication
- Provide Layer 2 firewall port isolation
- Provides true non-blocking switching performance
  - Supports a large number of Ethernet nodes
  - Supports port-based VLAN to allow suppression or addition of group membership to provide flexible management by IT managers
- Supports the highest number of traffic priority schemes in its class
- Provides Layer 2 firewall protection with port-based membership or 802.1Q VLAN-based membership
- Provides SNMP support for better network management
- Groups multiple links into one higher speed link
- Enables monitoring/analysis tools to monitor data from the network, mirrored from each selected port
- Conducts bridged loop detection through management packets
- Provides an easy, low-cost switching configuration
- Eliminates expensive heatsinks or fans and permits the use of low cost, small enclosures

## APPLICATIONS

The 88E6152/88E6155 products offer a scalable and reliable platform for developing 4 and 5 port GbE unmanaged, lightly managed (smart), or fully managed solutions. Some application examples are:

- 4-port GbE router with WAN interface
- Managed, smart, or unmanaged 5-port GbE switch
- Unmanaged 6-port GbE switch

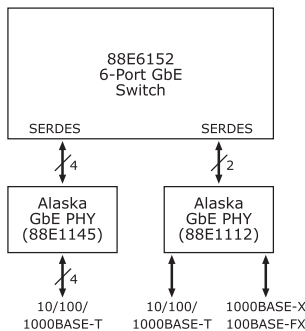


Fig 2. 88E6152-Based 6-Port GbE Layer 2 Switch

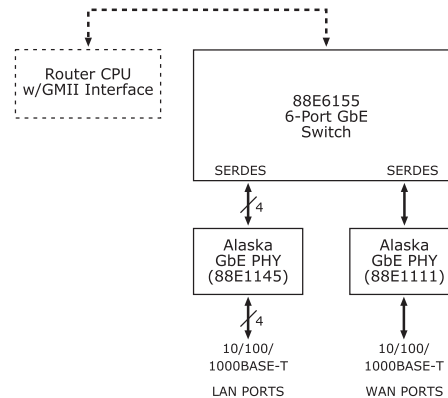


Fig 3. 88E6155-Based 4-Port GbE Router with WAN Interface

**THE MARVELL ADVANTAGE:** The 88E6152/88E6155 GbE switches offer a complete set of hardware and software development tools to assist network hardware engineers with product evaluation. Marvell's worldwide field applications engineers collaborate closely with network equipment vendors to develop and deliver new competitive products to market on time. Marvell utilizes recognized world-leading semiconductor foundry and packaging services to reliably deliver high-volume and low cost total solutions.

For more information, visit our website at [www.marvell.com](http://www.marvell.com).



**Marvell Semiconductor, Inc.**  
700 First Avenue  
Sunnyvale, CA 94089  
Phone 408.222.2500  
[www.marvell.com](http://www.marvell.com)

Copyright © 2005. Marvell International Ltd. All rights reserved. Marvell, the Marvell logo, Moving Forward Faster, Alaska, Fastwriter, GalNet, Libertas, Link Street, NetGX, PHYAdvantage, Prestera, Virtual Cable Tester, and Yukon are registered trademarks of Marvell. Ants, AnyVoltage, Discovery, DSP Switcher, Feroceon, GalTis, Horizon, RADLAN, Raising The Technology Bar, The Technology Within, UniMAC, and VCT are trademarks of Marvell. All other trademarks are the property of their respective owners.