

PRODUCT OVERVIEW

The Marvell® 88SE9130 host controller offer cost-effective solution of connecting Serial ATA (SATA) to a PCI Express (PCIe) 2.0 host. This host controller supports two 6 Gb/s SATA peripheral interface ports and a one-lane 5.0 Gb/s PCIe host interface. In addition, it features hardware RAID to offload host CPU, Marvell proprietary HyperDuo technology for automated SSD/HHD tiering, and AHCI interface for inbox driver support. A complete suite of RAID 0/1 and HyperDuo software is provided, including the OS device driver, BIOS/FW, and a management utility.

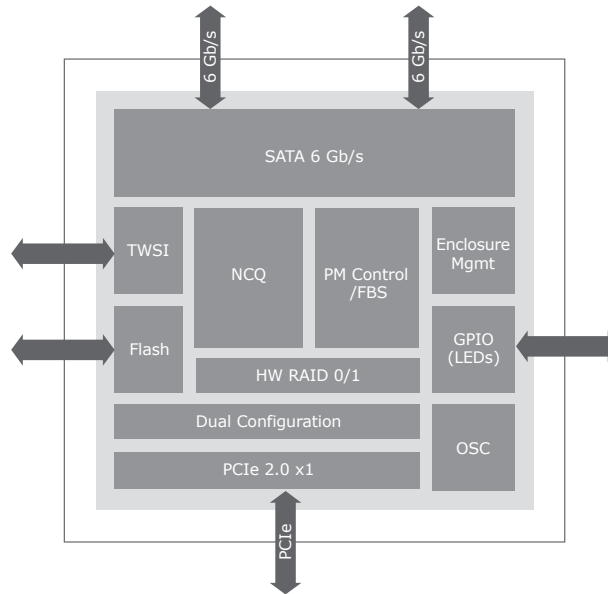


Fig 1. Block Diagram

| MODEL | 88SE9130 |
|------------------------------------|---|
| • Marvell RAID | Yes, RAID 0/1 |
| • Marvell HyperDuo Technology | Yes, please refer to HyperDuo product brief |
| • 6 Gb/s SATA Ports | 2 |
| • SATA 3.0 Compliant | 6 Gb/s SATA PHY with speed negotiation to backward support 3 and 1.5 Gb/s |
| • PCIe 2.0 Compliant | Support 1x PCI Express 2.0 interface (5.0 Gb/s) |
| • Native Command Queuing | 32 outstanding commands per port for high performance |
| • eSATA Support | Flexible SATA ports support internal or external (up to 5m) SATA links |
| • Hardware RAID | Yes |
| • AHCI Inbox Driver Support | Yes |
| • Enclosure Management | I2C support |
| • Two-Wire Serial Interface (TWSI) | Interface for external EEPROM containing configuration information |
| • GPIO Support | LEDs status monitoring |
| • SPI Flash Interface | External flash containing configuration data and/or boot code |
| • Port Multiplier Support | RAID support through Marvell Storage Utility (MSU) and driver |
| • FIS-Based Switching | Better performance with simultaneous commands |
| • On-Chip Oscillator | Low-cost crystal support |
| • Power | 1W |
| • Package Size/Type | 9mm×9mm / 76-pin QFN |

*support customer's own RAID software

▶ APPLICATIONS

The Marvell 88SE9130 SATA host controller is ideal solution for RAID on motherboard (ROMB) and cost-effective host bus adapter (HBA). It allows PCIe-based host systems to control up to two SATA 6Gb/s drives and enables the Marvell proprietary HyperDuo technology. Embedded with ARM-based CPU makes this product a pure hardware RAID controller and enables inbox driver support without additional driver installation. The included Marvell Storage Utility (MSU) provides a user-friendly interface to end users while the Marvell RAID driver allows the drives to be used with SATA port multiplier for increased system performance and capacity.

Marvell HyperDuo offers a break-through embedded technology for new generation 6Gb/s SATA controllers, starting with the Marvell 88SE9130. Based on years of research and patent-pending software and hardware, HyperDuo enables 80% of the performance of a solid state drive (SSD) at less than half the cost. Configured with one hard drive and one SSD, HyperDuo uses intelligent algorithms to automatically migrate hot data to SSD while enabling all data to be safely stored on a larger capacity SATA hard disk drive (HDD).

Fully programmable on-chip transceivers support SATA, eSATA, and xSATA at 6 Gb/s and backward compatible to 1.5 and 3 Gb/s. Built-in support for SATA Port Multipliers with FIS-based switching ensures maximum performance. The small footprint of the device and the very few required external components take up a minimal amount of board space, easing system design and reducing cost. In addition, embedded enclosure management via I2C protocol further reduces system cost.

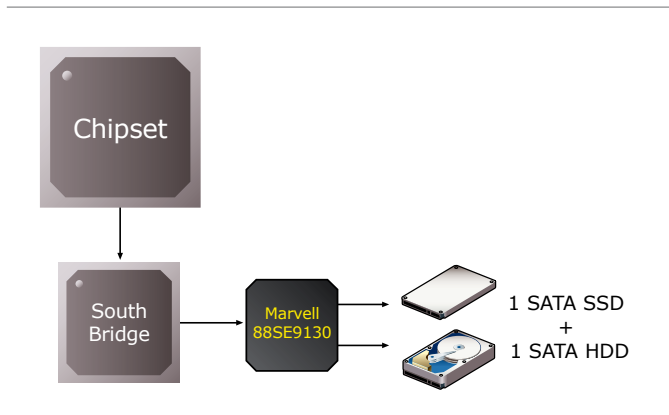


Fig 2. RAID-On-Motherboard Application

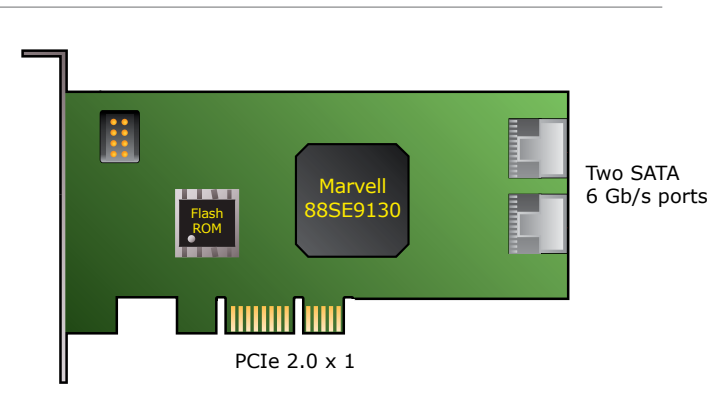


Fig 3. SATA RAID HBA Application

THE MARVELL ADVANTAGE: Marvell chipsets come with complete reference designs which include board layout designs, software, manufacturing diagnostic tools, documentation, and other items to assist customers with product evaluation and production. Marvell’s worldwide field application engineers collaborate closely with end customers to develop and deliver new leading-edge products for quick time-to-market. Marvell utilizes world-leading semiconductor foundry and packaging services to reliably deliver high-volume and low-cost total solutions.

ABOUT MARVELL: Marvell is a leader in storage, communications, and consumer silicon solutions. Marvell’s diverse product portfolio includes switching, transceiver, communications controller, processor, wireless, power management, and storage solutions that power the entire communications infrastructure, including enterprise, metro, home, storage, and digital entertainment solutions. For more information, visit our Web site at www.marvell.com.



Marvell Semiconductor, Inc.
5488 Marvell Lane
Santa Clara, CA 95054
Phone 408.222.2500
www.marvell.com

Copyright © 2011. Marvell International Ltd. All rights reserved. Marvell, Moving Forward Faster, and the Marvell logo are registered trademarks of Marvell or its affiliates. All other trademarks are the property of their respective owners.

88SE9130-002 1/11