

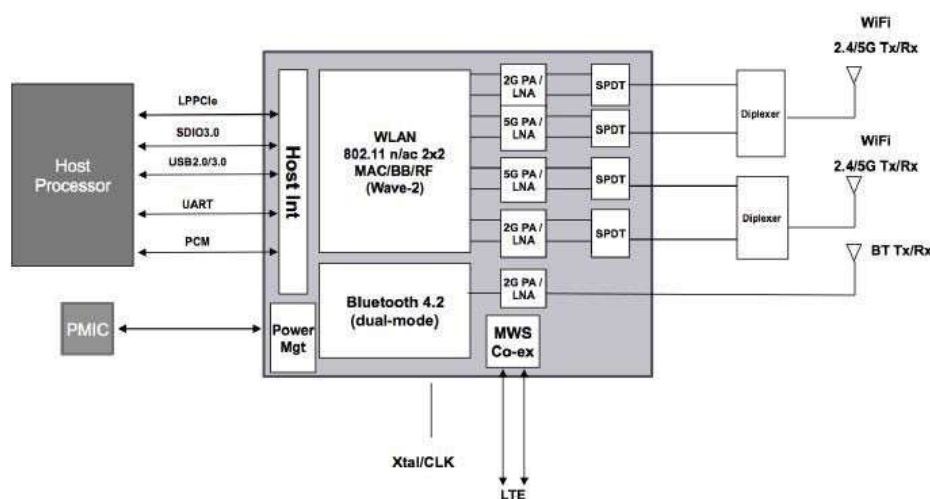
Marvell 88W8997, 2x2 802.11ac wave-2, Bluetooth 5.1 Combo SoC

High-Performance and Extended Range for A/V Streaming and Digital TV Applications

PRODUCT OVERVIEW

The Marvell 88W8997 is the industry's first 28nm, 802.11ac (wave-2), 2x2 MU-MIMO combo solution with support for Bluetooth 5.1. The design enhancements and the low power 28nm process technology reduces the power consumption by up to 40% over existing solutions. 88W8997 features the highest level of integration in the market including dual band Power Amplifiers (PAs), Low Noise Amplifiers (LNAs) and switches reducing board level BOM (Bill of Materials) to the bare minimum, enabling easy Chip-on-Board and module design for board markets.

BLOCK DIAGRAM



The Marvell 88W8997

KEY FEATURES

FEATURES

- 2x2, MU-MIMO combo, with low power 28nm design
- Bluetooth 5.1 including support for features like 2Mbps LE and direction finding using Angle of Arrival (AoA)
- Dual band Pas, LNAs & Switches
- Concurrent applications support for a device to have two independent radio links, without compromising the 2x2 MIMO link
- P-Precision indoor location capability using IEEE 802.11mc and BLE direction finding.

TARGET APPLICATIONS

- Tablets
- Mobile computing
- Gaming
- Set-top boxes
- TVs

