

OCTEON® II CN62XX Multi-Core MIPS64 Processors

Product Brief



OVERVIEW

The OCTEON® II CN62XX family of Multi-Core MIPS64 Internet Application Processors targets mainstream, high-volume applications in enterprise routers, switches, control plane applications, appliances, 3G/4G basestations, and intelligent storage and server adapters. The family includes four software and pin-compatible processors, with two to four cnMIPS64 v2 cores at up to 1.0GHz speed on a massively integrated SoC that includes the latest SERDES-based I/O's including PCIe Gen2, XAUI, and sRIO, along with Cavium's most advanced third-generation application hardware acceleration. CN62XX processors deliver over 6Gbps application performance.

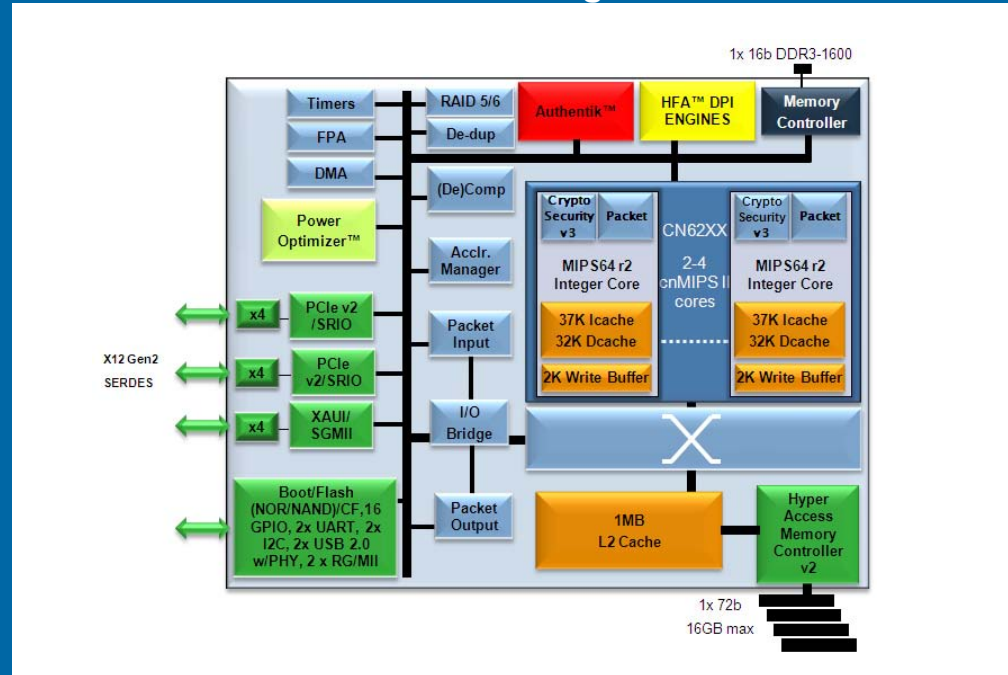
FEATURES

- Up to 1.0 GHz / core with large 1MB L2 cache and enhanced core architecture
- Packet I/O processors and hardware application acceleration manager
- New security acceleration engine with expanded algorithm support (3GSNOW)
- Third-generation pattern search capability with new Hyper Finite Automata (HFA) engines
- Latest memory and I/O Interfaces: DDR3, SRIO, PCIe Gen2
- 1 x10GbE & 4GbE
- 8W to 12W max power and power optimizer technology
- Powerful DMA, RAID engines

BENEFITS

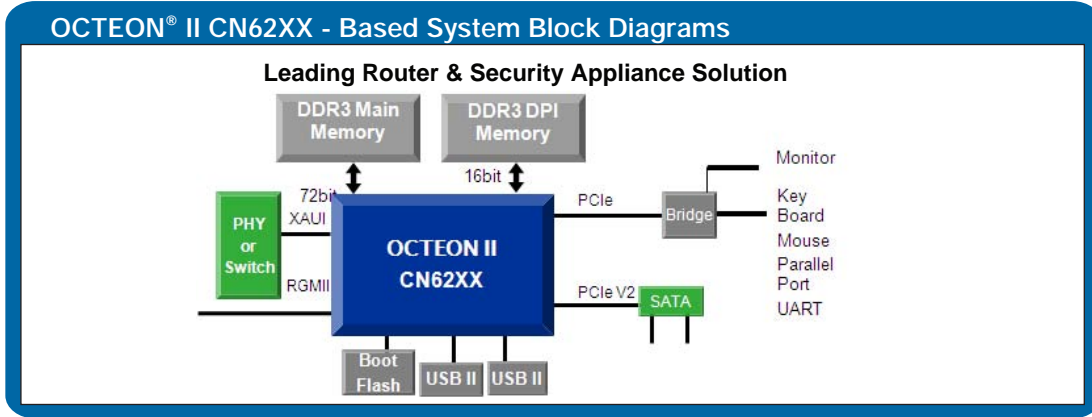
- Foot print and software compatibility with 63XX & 67XX providing a seamless scalability from 2 to 10 cores
- 2x control plane performance per core with total compute of up to 4 GHz
- Up to 6+Gbps of packet processing with QoS
- Up to 6+Gbps security, addition of encryption support for 4G wireless
- 7Gbps+ Deep Packet Inspection, with mainstream pattern memory and 10X+ reduction in graph size
- Future proof I/O's along with seamless connectivity to DSP's and peripherals
- >2x performance/watt over best alternatives

OCTEON® II CN62XX - Block Diagram



OCTEON[®] II CN62XX Multi-Core MIPS64 Processors

Product Brief



OCTEON II APPLICATIONS

- Next-generation integrated, standalone routers and appliances
- Unified Threat Management (UTM) appliances with Firewall, VPN (IPsec, SSL), IDS, IPS and anti-virus scanning
- Control Plane and Services Processor for storage and networking
- Mid-end Storage appliances with TCP, iSCSI, RAID, compression processing
- Wireless LAN switch/appliance security and packet processing
- Wireless Infrastructure control, packet, security, Deep Packet Inspection, security for LTE/4G/3G

OCTEON II SOFTWARE SUPPORT

- Cavium SDK includes:
 - Up to 32-way SMP LINUX support
 - Cavium Simple Executive for data plane applications
 - Complete GNU tool-chain, GDB, DDD and viewzilla for tuning
 - Optimized C libraries for security, regular expression, de/compression processing offload
 - Support for run-to-completion or pipelined software models
- Complete production quality development toolkits for IP, IPsec, SSL, TCP, SSL-VPN available
- Comprehensive Ecosystem support
 - Popular third-party Operating systems and toolchains
 - Broad range of third-party application software vendors
 - Appliances, AMC, ATCA cards from Cavium's Ecosystem support
- MIPS64/32 support enables thousands of MIPS and other C/C++ applications to be easily ported to OCTEON

OCTEON[®] II CN62XX - Product Family

Device	Part Number	cnMIPS cores	Performance	Option		L2 Cache	Networking Interfaces	PCI-Express Interfaces	Memory IO w/ECC	Package
			Max. Available Instructions Per Second	A	C					
CN6220	CN6220-XXXBG900- Option Code	2	4B	Y	Y	1MB	1 XAUI or 4x SGMII	2x [x4 lanes PCIe v2 or x4 lanes SRIO]	DDR3 up to 1600 MHz, 1 x 72-bit	900 FCBGA
CN6230	CN6230-XXXBG900- Option Code	4	8B	Y	Y	1MB				

Device Options:

Device Speed Grade (800 = 800 MHz, 1000 = 1 GHz)

Option code for device family listed below:

AAP = Application Acceleration Processor: Includes RAID, encryption, RegEx acceleration, compression/decompression, networking, TCP acceleration, and QoS

CP = Communication Processor: Includes networking, TCP acceleration, and QoS